



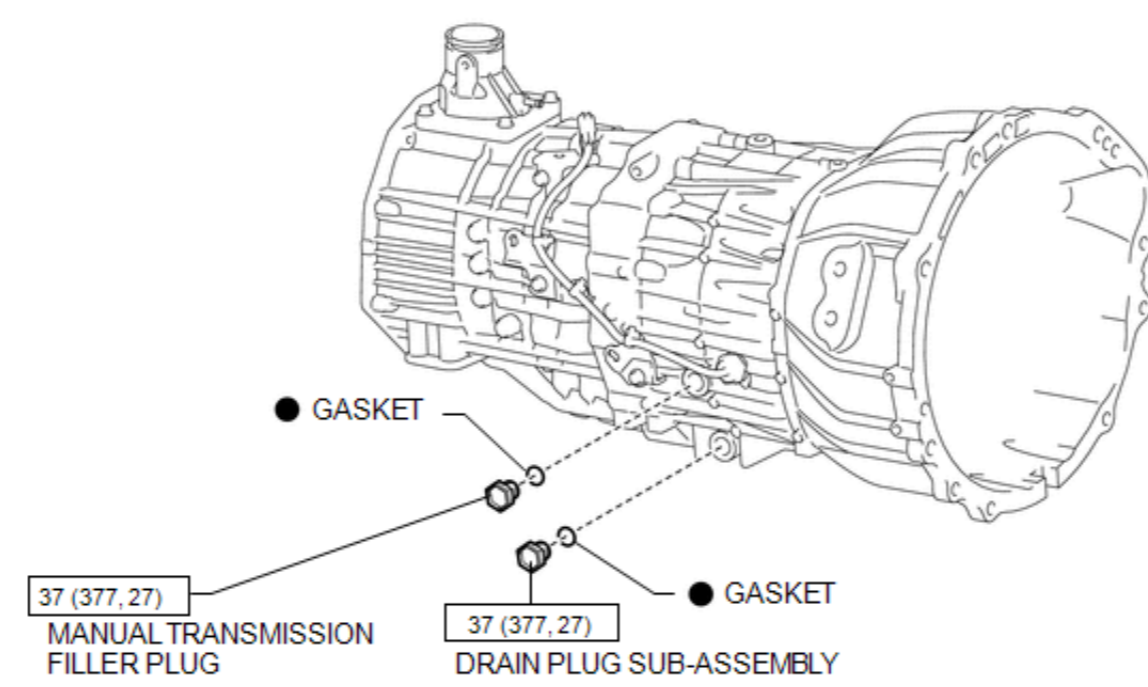
Download from
Dreamstime.com

This watermarked comp image is for previewing purposes only.

ID 2468711

© Milan Surkala | Dreamstime.com

[Tacoma Service Manual 2018](#)



N·m (kgf·cm, ft.·lbf): Specified torque

● Non-reusable part

P

[Tacoma Service Manual 2018](#)



Download from
Dreamstime.com

This watermarked comp image is for previewing purposes only.

ID 2468711

© Milan Surkala | Dreamstime.com

The Tacoma 2018 is mostly the same model last year, except for a major update. Beck's August medium-sized now has a number of standard features for active safety with a sense of added security of Toyota-P.. The discussions on the TacomaWorld forum cover a wide range of interesting topics related to the 2005-2018 Toyota Tacoma popular truck line.. ISBN-10: 1620923548 | ISBN-13: 9781620923542 | UPC: 035675686068 | Chilton 686062018 Toyota Tacoma Owners Manual Pdf2018 Toyota Tacoma Owners Manual Pdf - The Tacoma Beck model has August multiple trucks with many trains and body formations.

This Haynes 2005-2018 Toyota Tacoma Repair Manual provides detailed service information, step-by-step repair instruction and maintenance specifications.. It also boasts the most effective class safety features, including brake mechanism for emergency control and adaptive cruise.

tacoma service manual

tacoma service manual, tacoma service manual pdf, toyota tacoma service manual, 2013 toyota tacoma service manual pdf, toyota tacoma service manual pdf, 2018 tacoma service manual, 2019 toyota tacoma service manual, 2020 tacoma service manual, 2012 toyota tacoma service manual pdf, 2004 toyota tacoma service manual, 2016 tacoma service manual, 2017 tacoma service manual, 2019 tacoma service manual, tacoma factory service manual, 2015 tacoma service manual

However, you must maintain your 2005-2018 Toyota Tacoma if you want to turn the speedometer over a few times!The Chilton 68606 service manual covers all engine and transmission options available for the 2005-2018 second generation Tacoma, including the:2.. Note Does not cover diesel engines The specific model variations covered in the Chilton 68606 manual include:2005 - 2018 Toyota Tacoma - All configurationsIt is true that the 2nd and 3rd generation Toyota Tacomas are known to be one of the best engineered trucks on the market.. 7 Liter engine3 5 Liter engine4 0 Liter engineAccording to Wikipedia for the Toyota Tacoma.. The second generation Tacoma is available with eighteen unique configurations, including 2 engine types, four transmissions, three cab styles and 2 bed lengths.

toyota tacoma service manual

This repair manual will help the DIY mechanic repair, maintain or tear down and rebuild any component or system of the Toyota Tacoma.. The list includes front-end collision alarm, automatic emergency brake, soft start notice, automatic high beams, and adaptive cruise Control.

toyota tacoma service manual pdf

The Chilton Total Care manuals are outstanding and extremely thorough step by step guides.. Although Toyota is not exactly as convincing as the competition, it has the proportions and the process that is perfect for the personality of the adventure.. Pick up your Chilton manual today and start saving!Subject: 2005, 2006, 2007, 2008, 2009, 2010, 2011, 2012, 2013, 2014, 2015, 2016, 2017, 2018 Toyota Tacoma service, maintenance, repair.. The 2005-2018 Toyota Tacoma Repair Manual by Chilton covers all U S and Canadian models of the 2WD and 4WD versions of the Toyota Tacoma.. Otherwise, manual transmissions have been broken by five speeds, and many decorations receive minor network updates and paint colors that have been changed... Toyota unveiled a bigger and more powerful Tacoma at the Chicago Auto Show in 2004. d70b09c2d4

<http://pepercont.nl/jambones/100/1/index.html/>

<http://radisonosxy.tk/jambones36/100/1/index.html/>

<http://alfalralag.tk/jambones10/100/1/index.html/>